

The family of wideband antennas AD-25/CW is composed of wideband VHF whips intended for use on manpack radios in the frequency range from 30 to 88 (108) MHz. Electrically the antenna is optimised for all exploitation conditions (radio on back, at the breast, on the ground, etc.) so it is not necessary for additional tuning. The antenna is composed of radiating part made of special steel multilayer tape material ensuring high flexibility and roughness. The antenna has built-in a special passive transformer tuning network enclosed in fibreglass housing above the input coaxial connector. Above the transformer unit is so called "goose neck" enables that the antenna is always in vertical position regardless of the position of the radio unit. Different models regarding the frequency range, max. RF power, input connector, etc., are available on request.

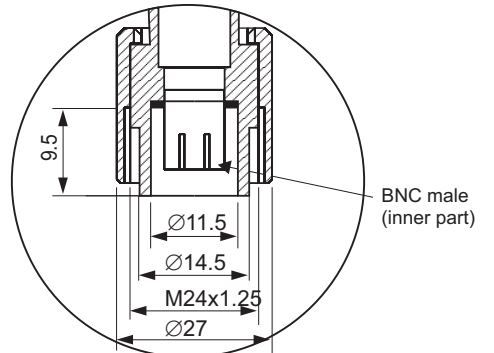
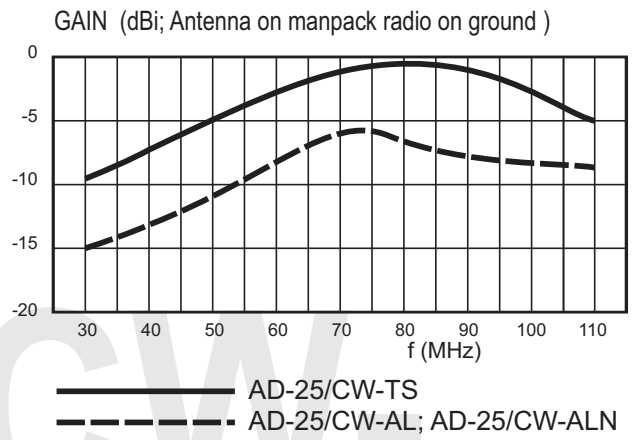
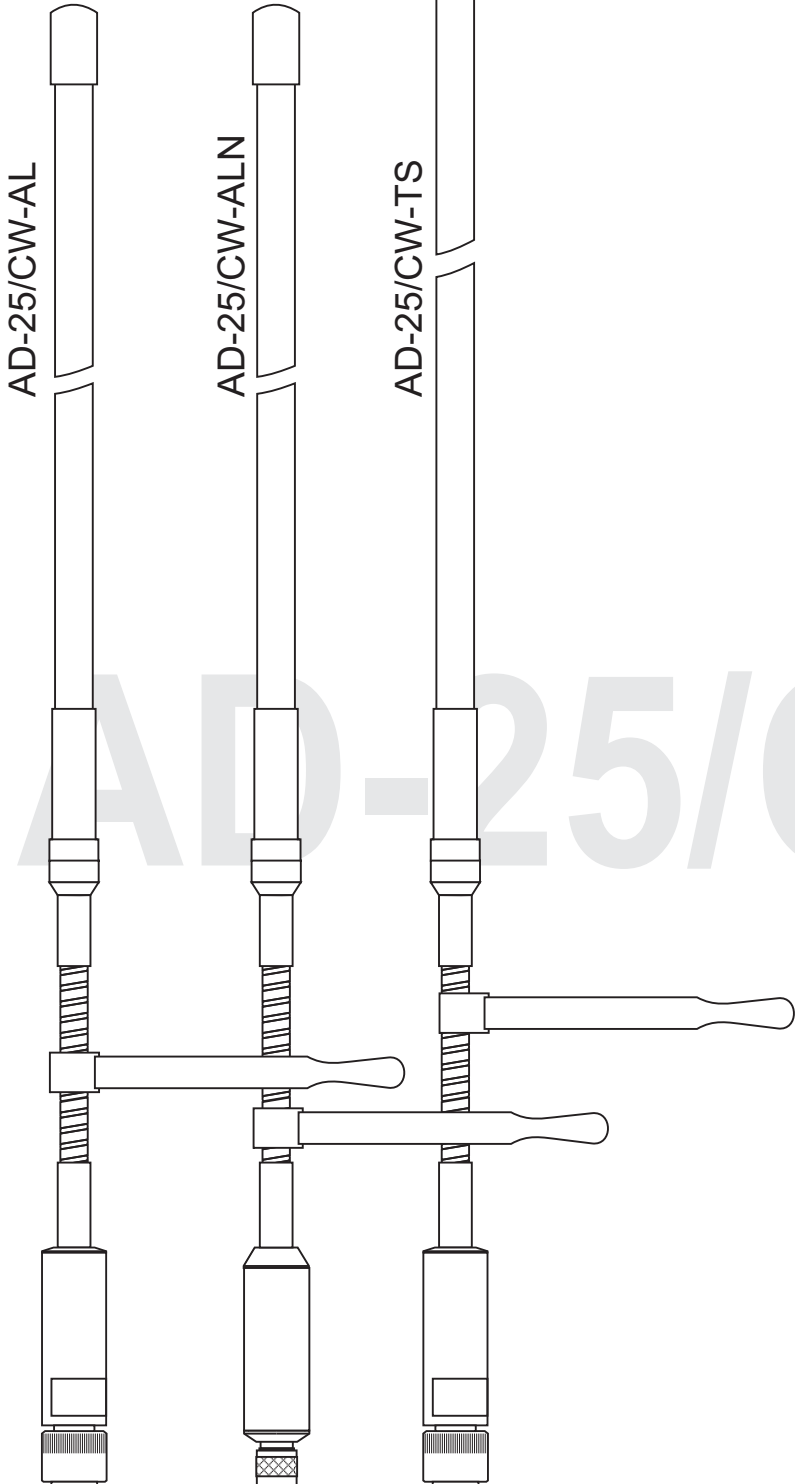


	AD-25/CW-AL	AD-25/CW-ALN	AD-25/CW-TS
Frequency (MHz)	30 - 108	30 - 108	30 - 108
Impedance (Ohm)	50 ohm	50 ohm	50 ohm
VSWR	< 3.5	< 3.5	< 4.5
Gain	DIAG. 2	DIAG. 2	DIAG. 2
Polarization	VER.	VER.	VER.
Maximum power (W)	25	25	25
Connector	modif. BNC/TNC	N male	modif. BNC/TNC
Height (mm)	1300	1250	1650
Mass (kg)	0,35 kg	0,35 kg	0,45 kg
Environmental specs.	MIL-STD-810	MIL-STD-810	MIL-STD-810

AD-25/CW-AL

AD-25/CW-ALN

AD-25/CW-TS



connector../CW-AL; ../CW-TS

AUTHORIZED USA DISTRIBUTION BY:

Cyntony Corporation
 195 Follen Road
 Lexington, Massachusetts
 sales@cyntony.com
 781-430-0675

