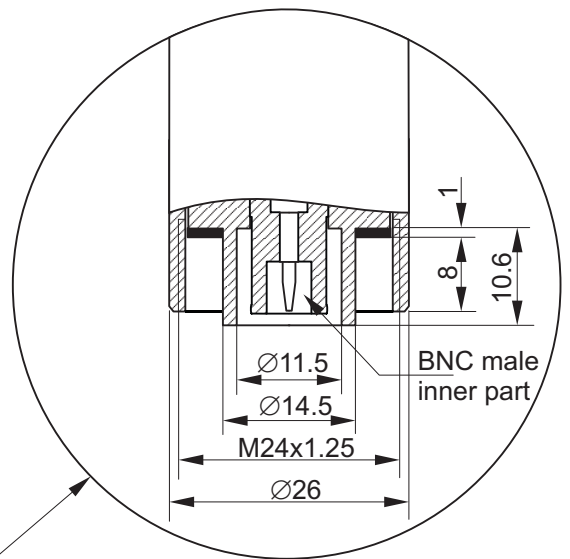
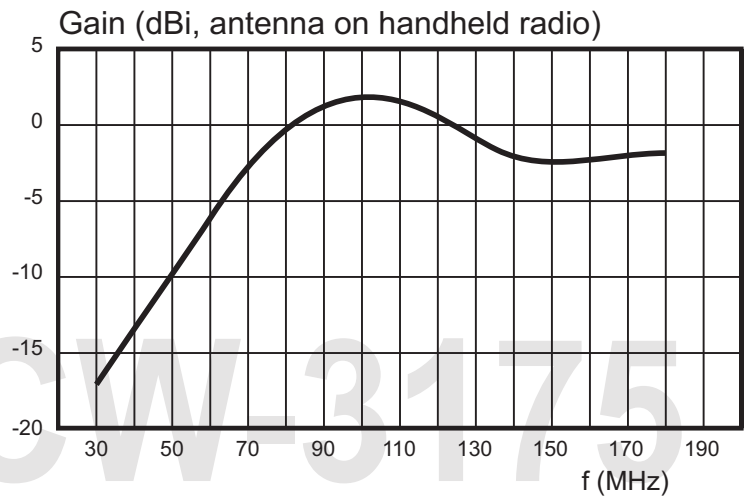
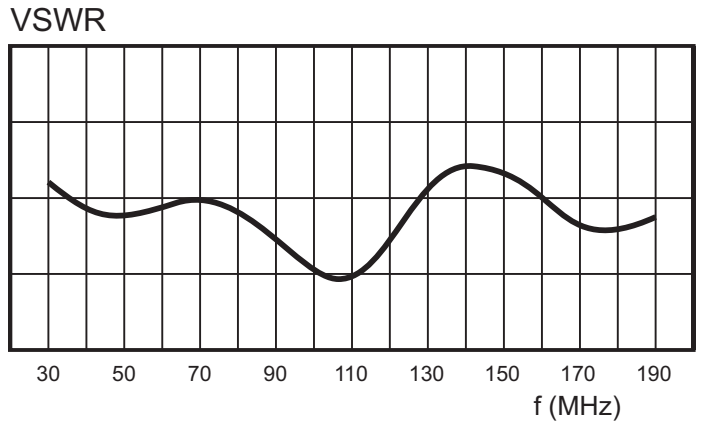
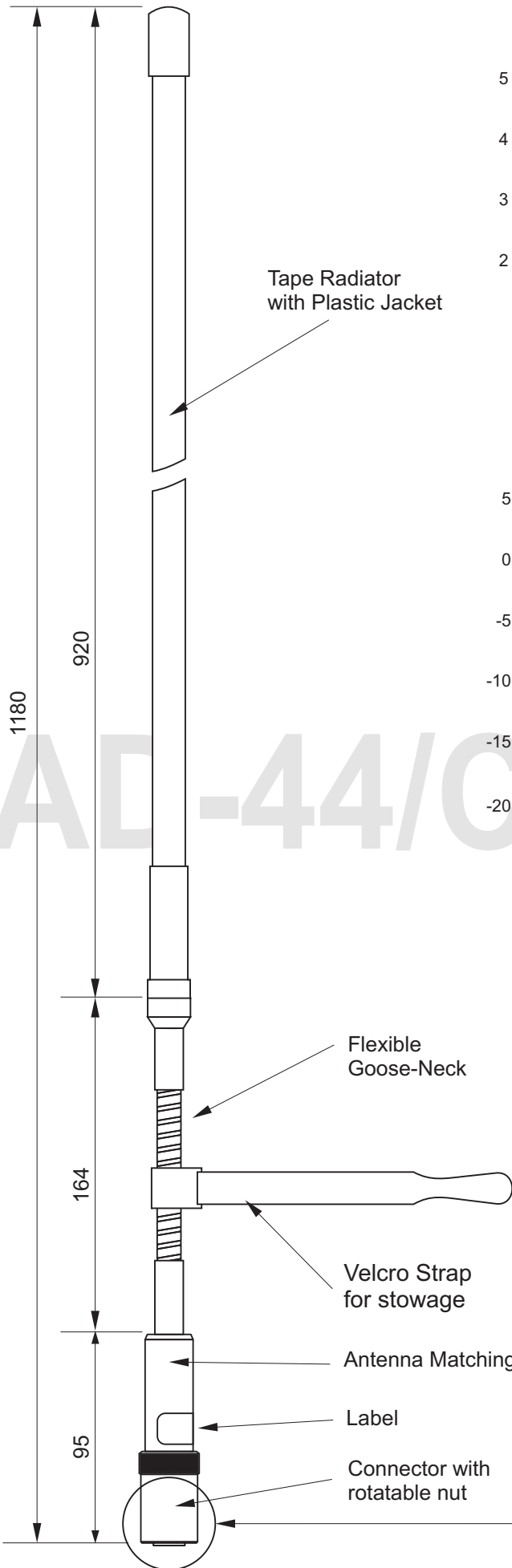


The antenna AD-44/CW-3175 is a wideband monopole whip, primarily intended for use with portable (handheld) radios in VHF frequency range from 30 to 175 MHz. Electrical performances of the antenna are optimized for handheld radios. The antenna is composed of radiating part made of tape radiator, covered with plastic sleeve and of the antenna matching unit with built-in a special passive transformer tuning network enclosed in plastic housing above the input coaxial connector. Between the tape radiator and matching unit is a flexible goose-neck allows bending the antenna to be always in vertical position.

TECHNICAL CHARACTERISTICS	
Frequency (MHz)	30-175
Impedance (Ohms)	50 ohm
VSWR	<3.5
Gain (dBi)	-17 ...+1 dBi (see gain diagram)
Polarization	Vertical
Max. power (W)	max. 15
Connector type	modified BNC/TNC male
Radiator type	tape, sleeve covered
Goose-neck height (mm)	164
Antenna height (mm)	1180
Antenna weight (gr.)	300
Colour	Black, non-glossy





AUTHORIZED USA DISTRIBUTION BY:

Cyntony Corporation
 195 Follen Road
 Lexington, Massachusetts
 sales@cyntony.com
 781-430-0675

cyntony
 customer attuned