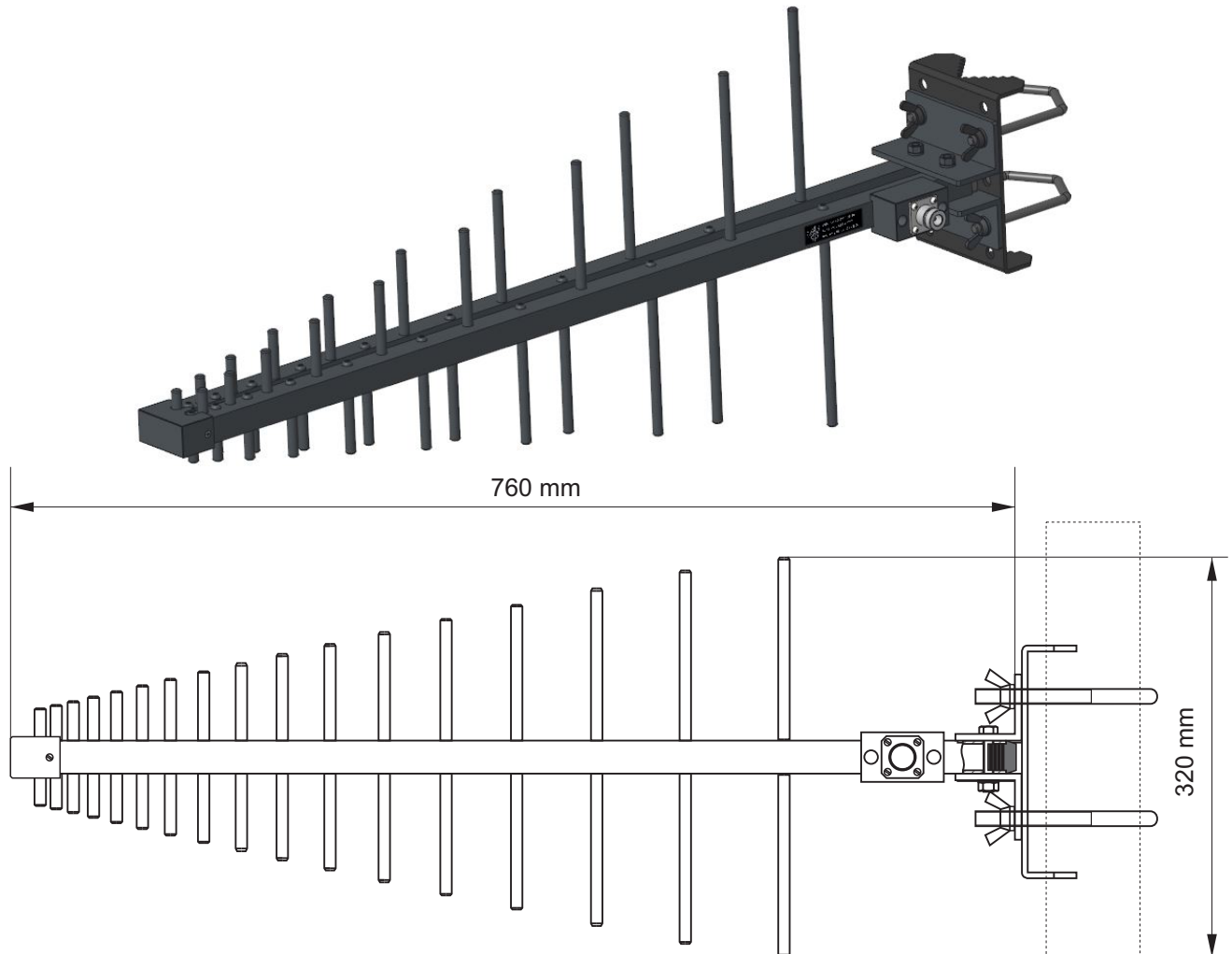




The antenna AD-22/E-50300 is a log-periodic dipole antenna covering the frequency range from 500 to 3000 MHz. The antenna is mainly intended for use for broadcast, EMC applications, radio monitoring, jamming, etc.

The antenna is composed of a boom element and 17 dipoles. All dipole elements and boom are made of aluminium alloy, protected with irridite finnish and painted with two component UV resistant PU paint. The antenna support on the end enables mounting on masts with outer diameter between 1" (26 mm) and 2" (60 mm). The antenna could be used as transportable or as stationary.



Frequency range	500 - 3000 Mhz
Impedance	50 ohm
VSWR	< 2.5
Gain	typ. 7.5 dBi
Front-to-back ratio	> 13 dB typ.
Polarization	HOR./VER.
Maximum power	250 W CW
Connector	N female
Length	760 mm
Width	320 mm
Mass	2,3 kg
Wind velocity	160 km/h
Temperature range	-55...+80 °C
IP rating	IP 65

