

The antenna AD-18/D-1512 is a wideband short mobile VHF/UHF antenna for frequency range from 100 to 512 MHz, mainly intended for use in heavy duty mobile applications.

The antenna is composed of two main parts: antenna base and radiating element. The antenna base is made of aluminum and durable plastic materials. Inside the base is the matching circuitry and (optional) GPS antenna. Stainless steel spring absorbs the shocks and the vibrations, in addition protects the antenna against impacts. Radiating element is made of composite materials enable outstanding strength and roughness even in hardest conditions of use.

The antenna base has four mounting holes equally spaced on a 4.5" (114.3 mm) circle which complies with NATO standard. Different base plate dimensions are available on request.

The antenna radiator is painted with black two-component UV resistant paint.

| | |
|---|---|
| ELECTRICAL SPECIFICATIONS - VHF/UHF: | |
| Frequency range | 100 - 512 MHz |
| Impedance | 50 ohms |
| VSWR | < 3.5 (typ. <2.5) |
| Gain | See graph |
| Polarization | vert. |
| Maximum power | 100 W CW |
| Connector | N female (BNC female optional) |
| ELECTRICAL SPECIFICATIONS - GPS: | |
| Frequency range | L1 1575.42 +/- 10 MHz |
| Impedance | 50 ohms |
| VSWR | < 2 |
| Polarization | RHC |
| LNA Gain / Voltage / Current | 18 dB (+/- 2 dB) / 5 V / 19 mA 16 dB (+/- 2 dB) / 3.5 V / 13 mA 10 dB (+/- 2 dB) / 2 V / 7 mA |
| Noise fig. | <1.5 dB |
| Connector | SMA female |
| MECHANICAL SPECIFICATIONS: | |
| Design | End fed whip (VHF/UHF); patch antenna with LNA (GPS) |
| Height | 425 mm |
| Weight | 2.3 kg |
| Max. high voltage rating | 16 kV |
| Temperature range - in use | -50 ... +55 °C |
| Temperature range - in stock | -55 ... +75 °C |
| Wind rating | 45 m/s (160 km/h) |
| Color | Black |



VERSIONS:

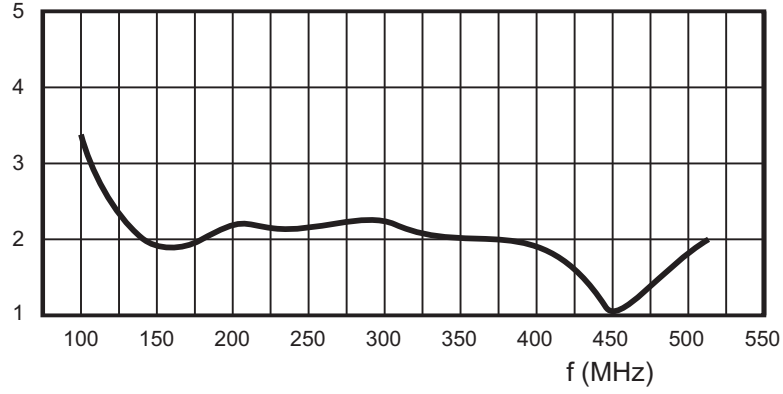
AD-18/D-1512-N: VHF/UHF antenna (N female)

AD-18/D-1512-G-N: combined VHF/UHF (N female) and GPS L1 (SMA female) antenna

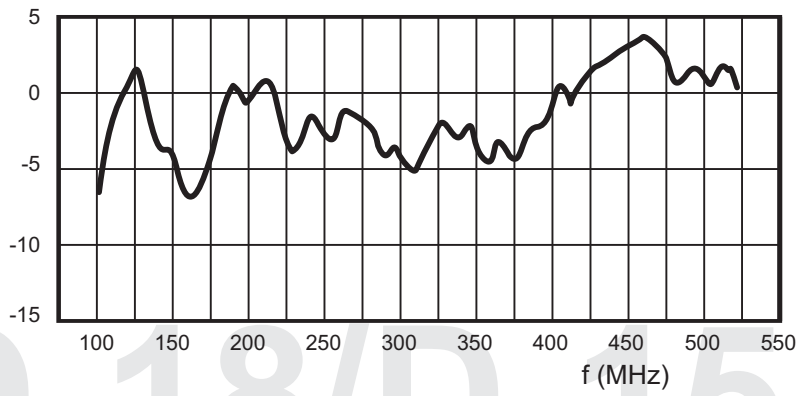
AD-18/D-1512-BNC: VHF/UHF antenna (BNC female)

AD-18/D-1512-G-BNC: combined VHF/UHF (BNC female) and GPS L1 (SMA female) antenna

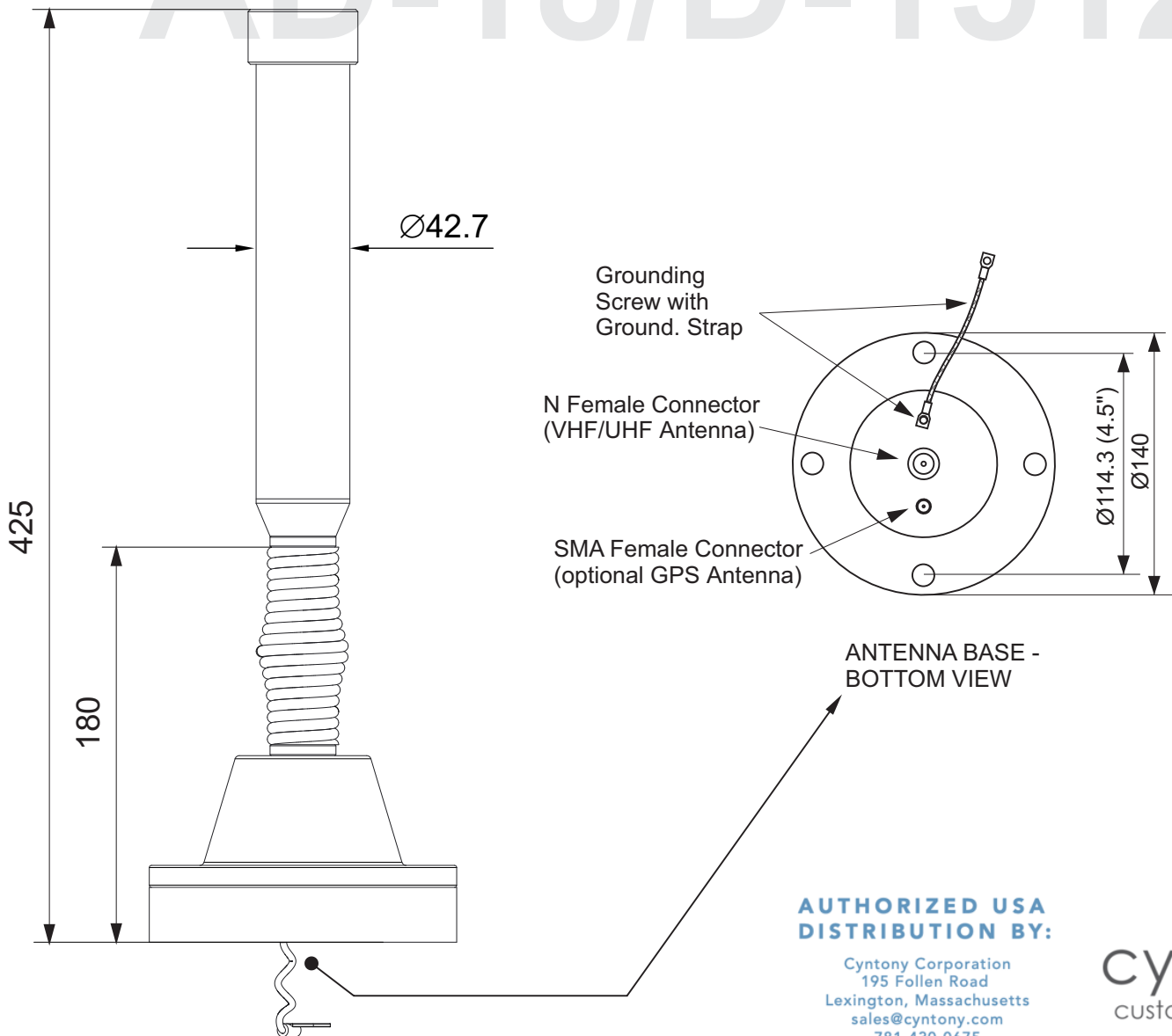
VSWR



GAIN (dBi)



AD-18/D-1512



**AUTHORIZED USA
DISTRIBUTION BY:**

Cyntony Corporation
195 Follen Road
Lexington, Massachusetts
sales@cyntony.com
781-430-0675

cyntony
customer attuned