

# Wearable Mesh Rider Radio – 902~928 MHz (ISM Band)

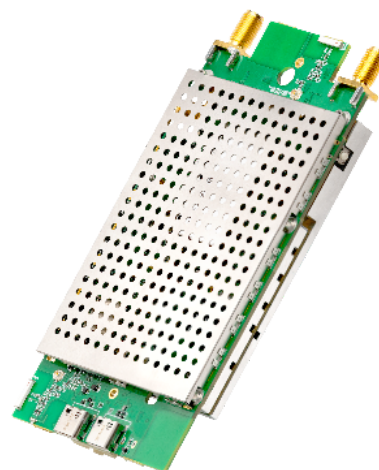
## Overview

The Wearable Mesh Rider Radio brings private wireless networking and dynamic mesh capabilities to connected workers. Each device is a node on a long-range Mesh Rider network and uses WiFi to bridge Tablets and Smartphones onto the network. The Wearable Mesh Rider Radio is used by tactical teams to collaborate by streaming voice, video, and data on a fast, low latency, and encrypted network.



The Wearable Mesh Rider Radio was designed to be conveniently carried. Embedded antennas are capable of streaming HD video to a teammate up to 1 km away. External antenna ports are included to integrate with high-gain antennas for longer distances. The radio can be powered by a variety of sources, including tablets and standards-based battery banks. It is also available in an OEM form factor for embedded use cases.

As with all Mesh Rider Radio form factors, the Wearable is available in many frequency bands between 900 MHz and 6 GHz frequency range. This flexibility allows customers to use their industry specific frequency bands for deploying private wireless networks.



The Mesh Rider Radio employs Doodle Labs' patented Mesh Rider® technology with state-of-the-art RF and networking capabilities that enable communication further, faster, and more reliably than any comparable solution on the market. For example, optimized video streaming carries crystal clear 4K video while simultaneously carrying Ultra Reliable Low Latency (URLLC) command and control (C&C) data for machines.

For more information, please visit: <https://doodlelabs.com/smart-radio/>

## Key Features - Mesh Rider Radio Platform

### PERFORMANCE RF

- Long range (field tested >100km) and high throughput (up to 100 Mbps) Mesh Rider waveform
- Interference resistant COFDM for robust link quality in difficult RF environments
- Exceptional Multipath and NrLOS MIMO performance
- Adaptive radio modulations from BPSK up to 64QAM, with fast per packet optimization to maximize link performance in dynamic environments
- Software defined channel bandwidth for efficient re-use of spectrum
- Convolutional coding, Forward Error Correction (FEC), ACK-retransmits, Maximal Ratio Combining, Spatial Multiplexing, and Space Time Block Coding for robust data transmission over noisy channel/spectrum
- Single channel, Time Division Duplexing (TDD) for bi-directional traffic
- Resistant to high-power jamming signals
- ATPC for widely dispersed mesh network
- Built-in Spectrum Scanner to help mitigate interference issues

### PERFORMANCE NETWORKING

- Ultra-Reliable Low Latency Channel (URLLC) for Command and Control
- Optimized video streaming channel for Unicast and Multicast transport
- Self-healing/self-forming multi-frequency mobile mesh for highly reliable network with redundancy
- FIPS Certified AES 256- and 128-bit encryption
- End-to-end IP architecture with Ad Hoc, WDS transparent bridge, Client, AP, and Internet Gateway operating modes
- Embedded network management APIs

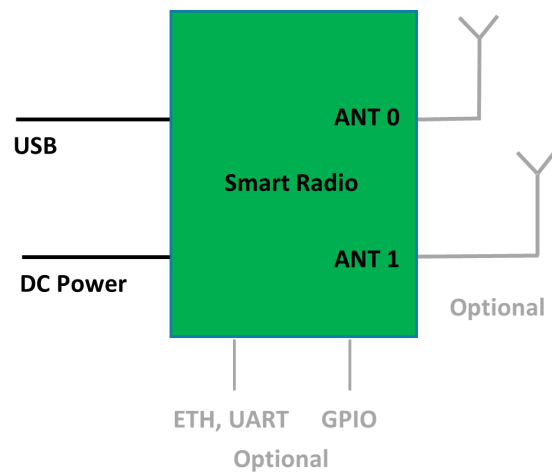
## ADDITIONAL FEATURES

- Very small size, weight, and power for mobile applications
- Ethernet, USB, and UART interfaces to allow easy integration into different system architectures
- Leverage the benefits of the most extensible OpenWrt ecosystem and install 3rd party IoT applications
- Rugged, vibration resistant construction to meet MIL-specs
- MIL-spec temp range (-40C to +85C)
- High quality, manufactured in ISO 9001 and ISO 14001 certified facilities
- COTS - Commercial off the Shelf
- Extended lifespan and availability

## System Integration

The Mesh Rider Radio has been designed to be plug and play. Only USB and a power supply are required for integration.

Visit [Doodle Labs Technical Library](#) for extensive design-in documents.



## Technical Specifications (902~928 MHz, WiFi band)

<b>Model Category</b>	Xtreme
<b>ORDERING CODES</b>	
<b>Radio Configuration</b>	2x2 MIMO
<b>Model # (Wearable)</b>	RM-915-2K-XW RM-915-2K-XWE (does not include internal Mesh Rider antennas, Altimeter and GPS functionalities)
<b>Model # (OEM)</b>	RM-915-2K-XO
<b>Evaluation Kit (Optional)</b>	EK-915-2K Includes: 2x Attached Antennas for Mesh Rider, Breakout board, Cable, Mounting plate
<b>Design-In Documentation</b>	<a href="#">Doodle Labs Technical Library</a>
<b>PERFORMANCE OVERVIEW</b>	
<b>Data Throughput at 10-meter range with Attached 3 dBi Antennas (Indicative)</b>	80 Mbps (20 MHz Channel) 40 Mbps (10 MHz Channel) 20 Mbps (5 MHz Channel) 12 Mbps (3 MHz Channel)
<b>Over the Air Data Encryption</b>	128-bit AES (Full throughput) 256-bit AES (12 Mbps max throughput)
<b>FIPS Certification (Optional)</b>	FIPS 140-3
<b>Operating Modes</b>	WiFi Radio: AP, Client Mesh, WDS AP, WDS Client Bridged or Internet Gateway with NAT
<b>Command &amp; Control channel</b>	Ultra-Reliable Low Latency Channel (URLLC). Latency 1.5-10 ms

<b>Video Channel</b>	Optimized video streaming with Unicast and Multicast transmission
<b>RF SPECIFICATIONS</b>	
<b>Protocol Compatibility</b>	Fully compatible with Doodle Labs Mesh Rider Waveform
<b>Frequency Range</b>	902-928 MHz
<b>Advanced Band Filters</b>	Dedicated SAW filters for high interference immunity
<b>Max RF Power at SMA port (Software control) Each radio individually calibrated</b>	1.0W (30 dBm) @ MCS 0,8 0.8W (29 dBm) @ MCS 3,11 0.4W (26 dBm) @ MCS 5,13 250mW (24 dBm) @MCS 7,15
<b>Channel Sizes (Software Selectable)</b>	3, 5, 10, 20 MHz
<b>Radio Data Rate</b>	Auto adapting Modulation Coding Scheme (MCS0-15)
<b>Antenna Signal Strength</b>	-25 to -85 dBm (Recommended), Absolute Maximum= +12 dBm
<b>RF Power Control</b>	In 1 dBm steps, Tolerance $\pm 1$ dBm
<b>Automatic Transmit Power Control (ATPC)</b>	Intelligently adjusts the transmit power for very close range operation
<b>Integrated Antenna Port Protection</b>	Able to withstand open port, >10 KV (contact) and >15KV (open air discharge) as per IEC-61000-4-2
<b>Wireless Error Correction</b>	FEC, ARQ
<b>Receive Noise Figure</b>	+4 dB
<b>Receive Adjacent Channel Rejection (ACRR)</b>	34 dB @ MCS0 for 20 MHz channel (Typ)

<b>Transmitter Adjacent Channel Leakage Ratio (ACLR)</b>	< 28 dBr (Fc ± ChBW)
<b>Transmitter Spurious Emission Suppression</b>	< 40 dBc
<b>Frequency Accuracy</b>	±10 ppm max over life
<b>WI-FI HOTSPOT SPECIFICATIONS</b>	
<b>WiFi Standard</b>	IEEE 802.11n, 2x2 MIMO
<b>Frequency Range</b>	2400-2482 MHz 5160-5895 MHz
<b>RF Power Output (Typ)</b>	50 mW (17 dBm) EIRP
<b>Channel Size</b>	20 MHz
<b>Radio Data Rate</b>	Auto adapting Modulation Coding Scheme (MCS 0-15)
<b>Antenna Signal Strength</b>	-25 to -85 dBm (Recommended), Absolute Maximum= +12 dBm
<b>RF Power Control</b>	In 1 dBm steps, Tolerance ±1 dBm
<b>Wireless Error Correction</b>	FEC, ARQ
<b>NETWORKING SPECIFICATIONS</b>	
<b>Mesh Router</b>	Self-Forming/Self-Healing, Peer to Peer
<b>Custom Software Package Manager</b>	Image Builder, OPKG, ipk
<b>Radio Management</b>	Web GUI (HTTPs), SSH and JSON-RPC
<b>Access control</b>	Password, MAC, IP, Port filtering
<b>Supported Protocols</b>	IPv6, QoS, DNS, HTTPS, IP, ICMP, NTP, DHCP

<b>Software Upgrade</b>	Over the air software upgrade supported
<b>HARDWARE SPECIFICATIONS</b>	
<b>Power Input</b>	6V - 24V, USB-PD Compliant
<b>DC Power Consumption</b>	14W @ Max Data Throughput 12W @ Max Range 3.5W in Rx mode 2W in Standby mode
<b>Dimensions: Wearable</b>	130 x 75 x 23 mm and 245 grams
<b>Dimensions: OEM</b>	127 x 63 x 13 mm and 125 grams
<b>Mesh Rider Antenna Ports</b>	2x Embedded Antennas and 2x SMA-Female connectors for Attached/External antennas
<b>Host Interface</b>	USB-Dev, Ethernet (100 Base-T), 1x UART (3.3V), USB-Host, and 1x GPIO port (2.62V)
<b>Temperature range (Operating)</b>	External Temp: Up to +40°C (Wearable)  Industrial: -40°C to +85°C Commercial Operating Temp Range: -10°C to +65°C  <i>* System's thermal design should ensure that the radio's case temperature is maintained within these specifications.</i>
<b>Temperature range (Non-Operating)</b>	-40°C to +100°C
<b>Ingress Protection</b>	IP51, protected against dust and rainfall
<b>Relative Humidity</b>	5% to 95% non-condensing
<b>Shock and Vibration Resistance</b>	Compliant to MIL-STD-810H for high shock and vibration
<b>Reliability</b>	Extreme Reliability, IPC Class 2 standard with Class 3 options



<b>WiFi Hotspot Antennas</b>	2x Embedded Antennas
<b>GPS Features</b>	<p>Simultaneous multiple constellations (GPS/SBAS/Galileo/Glonass/BeiDou/QZSS)</p> <p>Receive Sensitivity -167 dBm, Max. Velocity 500m/sec ± 0.05m/S, Heading ± 0.3 degrees, Position Accuracy 2m</p>
<b>Integrated GPS Module with LNA</b>	<a href="http://u-blox.com">u-blox MAX-M8 series Concurrent GNSS Module (u-blox.com)</a>
<b>GPS Antenna</b>	<p>Embedded Antenna</p> <p>+ SMA-Female connector for external Passive antenna (use of Active GPS antenna is not recommended)</p>
<b>Integrated Altimeter</b>	-698 to +11,775 m (20-bit), 1 Hz Refresh Rate. <a href="#">MPL3115A2</a>
<b>Integrated Temp Monitor</b>	-40 to +85 C <a href="#">MPL3115A2</a>
<b>Integrated CPU</b>	MIPS 24Kc, 540 MHz, 32MB Flash, 64MB DDR2 RAM
<b>ESD Protection</b>	IEC 61000-4-2 test criteria, Level 3 (±6KV) for Contact Discharge and Level 4 (±15KV) for Air Discharge
<b>MTBF</b>	>235k hours (25 years)
<b>Life Cycle Planning</b>	Extended lifespan with 7 years guaranteed availability
<b>REGULATORY INFORMATION</b>	
<b>J/F-12 Certification</b>	J/F # 11929 (NTIA DD1494 available upon request)
<b>ANATEL</b>	Compliant
<b>Regulatory Requirements</b>	Designed and verified to meet various regulatory requirements. Formal testing and approval are required for the Integrator's antenna type. The Integrator is responsible for obtaining all regulatory approvals in target markets for the finished product.

**RoHS/WEEE Compliance**

Yes. 100% Recyclable/Biodegradable packaging

**EXPORT INFORMATION****ECCN Code**

5A992

**HS Code**

85256010

## ADDITIONAL RF SPECIFICATIONS

<b>MCS Rate</b>	<b>Modulation</b>	<b>Combined Output Power (dBm)</b>	<b>Sensitivity (dBm)</b>	<b>UDP Throughput (Mbps)</b>
<b>0</b>	BPSK (1/2)	30	-93	5.4
<b>1</b>	QPSK (1/2)	29	-91	10.62
<b>2</b>	QPSK (3/4)	29	-89	15.66
<b>3</b>	16-QAM (1/2)	29	-87	20.52
<b>4</b>	16-QAM (3/4)	28	-83	29.88
<b>5</b>	64-QAM (2/3)	27	-79	38.88
<b>6</b>	64-QAM (3/4)	26	-77	43.11
<b>7</b>	64-QAM (5/6)	24	-75	47.34
<b>8</b>	BPSK (1/2)	30	-90	10.53
<b>9</b>	QPSK (1/2)	29	-88	20.43
<b>10</b>	QPSK (3/4)	29	-86	29.7
<b>11</b>	16-QAM (1/2)	29	-84	38.52
<b>12</b>	16-QAM (3/4)	28	-80	54.72
<b>13</b>	64-QAM (2/3)	27	-76	69.3
<b>14</b>	64-QAM (3/4)	26	-74	76.14
<b>15</b>	64-QAM (5/6)	24	-72	82.8

*Note 1: Performance based on 20-MHz bandwidth*

*Note 2: Sensitivity and throughput are approximately proportional to bandwidth.*

